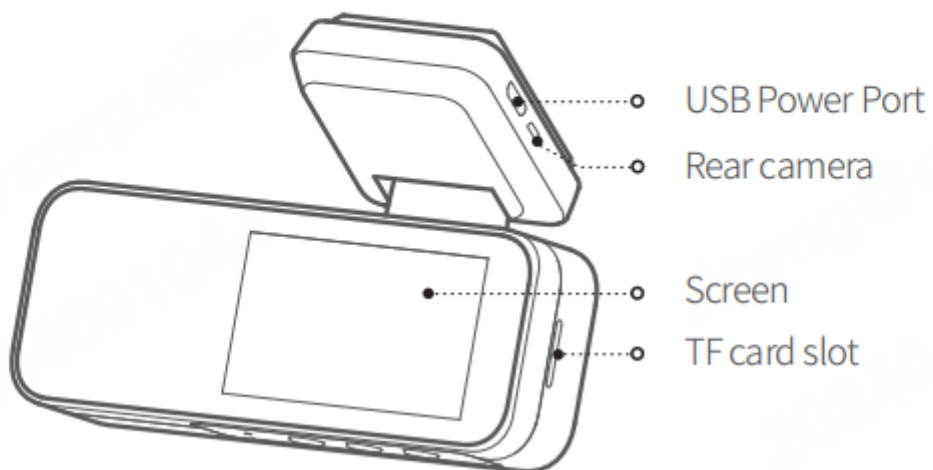
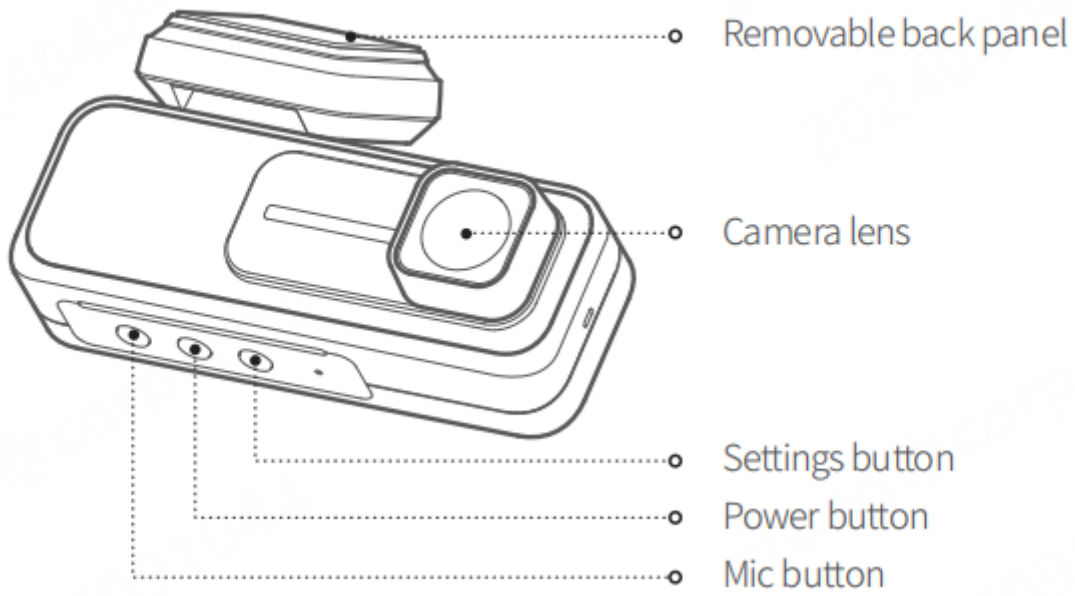


Product appearance



Packing List

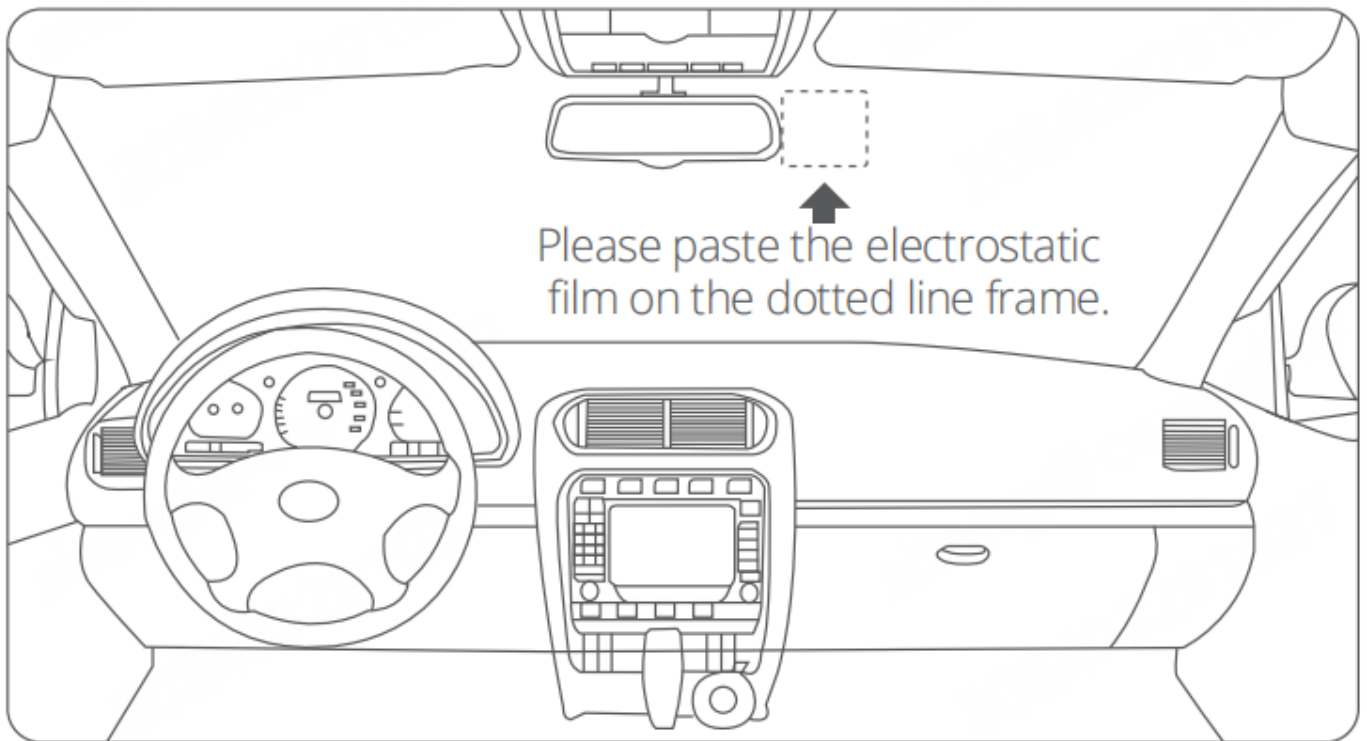
Upon opening the package, please check if the dash cam is in good condition and if all accessories are included.

- 1) Main unit x 1
- 2) USB power cord x1
- 3) Electrostatic film x 2
- 4) User manual x1
- 5) Installation pry bar x 1
- 6) Car charger x1
- 7) Rear camera x 1
- 8) TF card x1

Installation

1. Install the electrostatic film:

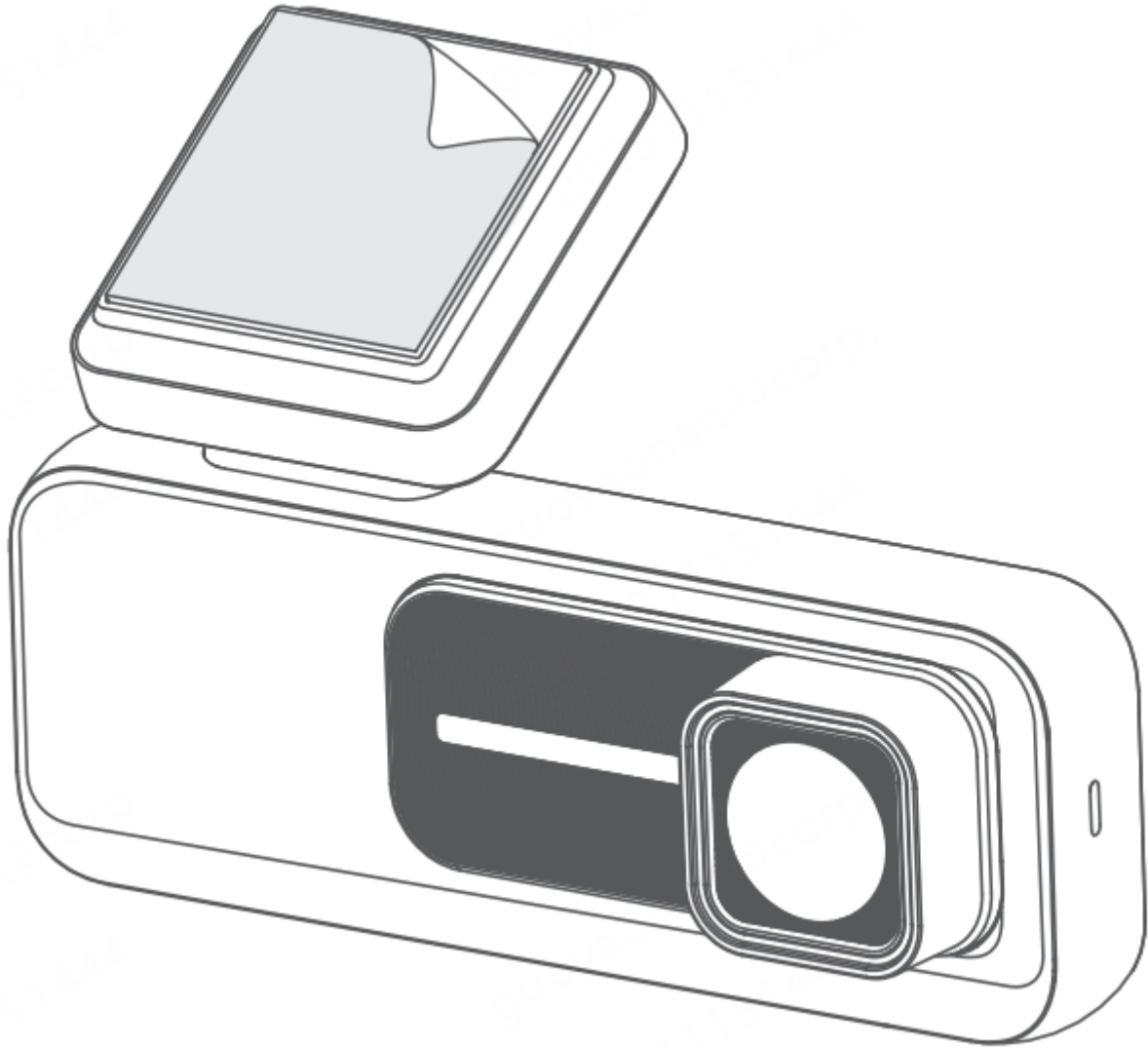
Install the electrostatic film on the front windshield in the recommended area (dashed area) shown in the diagram below. Before installation, please clean the glass and ensure there are no bubbles between the electrostatic film and the glass.



Tip: Please install the dash cam as close to the middle area above the front windshield as possible, in order to ensure full coverage of the car's front view and improve ADAS-assisted driving accuracy.

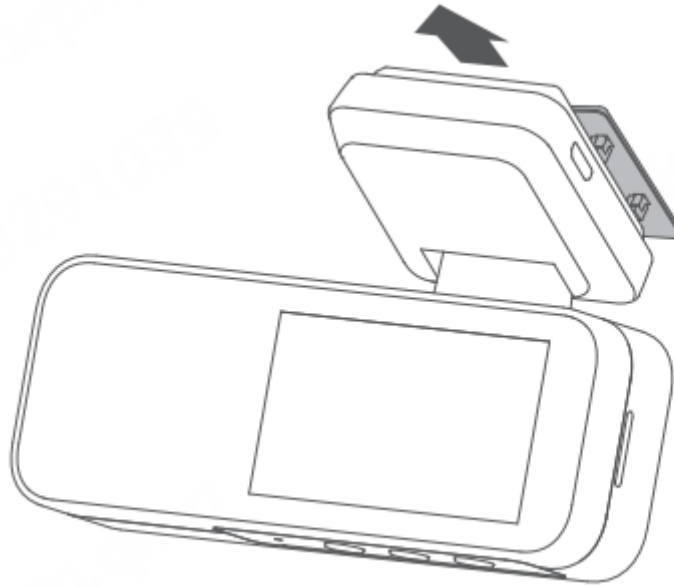
2. Attach the dash cam

Remove the 3M adhesive protective film, attach the dash cam bracket to the electrostatic film, and adjust the dash cam to the appropriate angle.



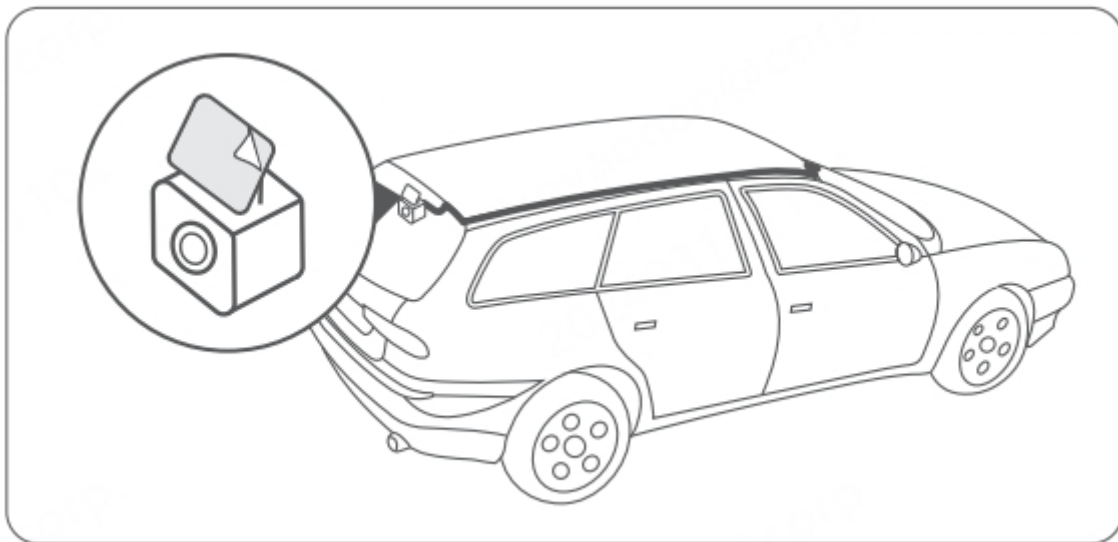
Removal and installation of the dash cam:

Slide the dash cam upwards in the direction of the arrow (as indicated in the diagram below) until you hear a "click" sound. This indicates that the dash cam is ready to be taken down. In contrast, align the hole on the back of the dash cam bracket with the snap position on the 3M adhesive, and slide the bracket downwards until you hear a "click" sound, indicating that the dash cam can be installed.



3. Wiring and installation of the rear camera

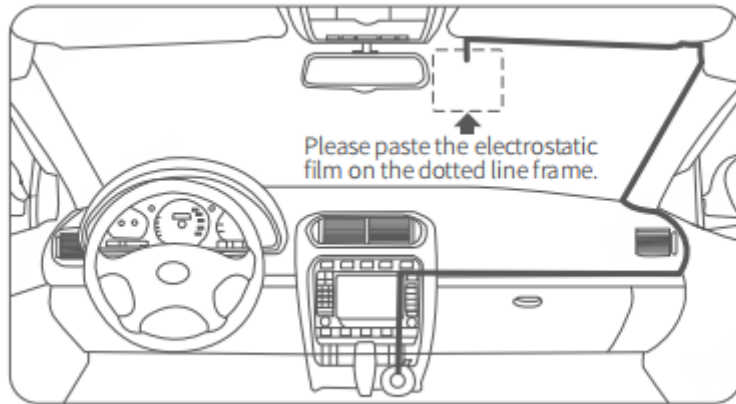
Arrange the rear camera cable from the front windshield to the rear windshield, as shown in the picture below.



4. Wiring and connecting the power supply

Route the power cord along the top of the front windshield, through the A-pillar, and into the storage compartment located at the front passenger seat, close to the cigarette lighter port, as shown in the diagram below. Then, connect the power cord to the cigarette lighter power supply.

Tip: You can use the included wiring pry bar to bury the power cord under the A-pillar sealant strip. Please note that the position of the cigarette lighter port may vary between different vehicles, and the pictures are for reference only.



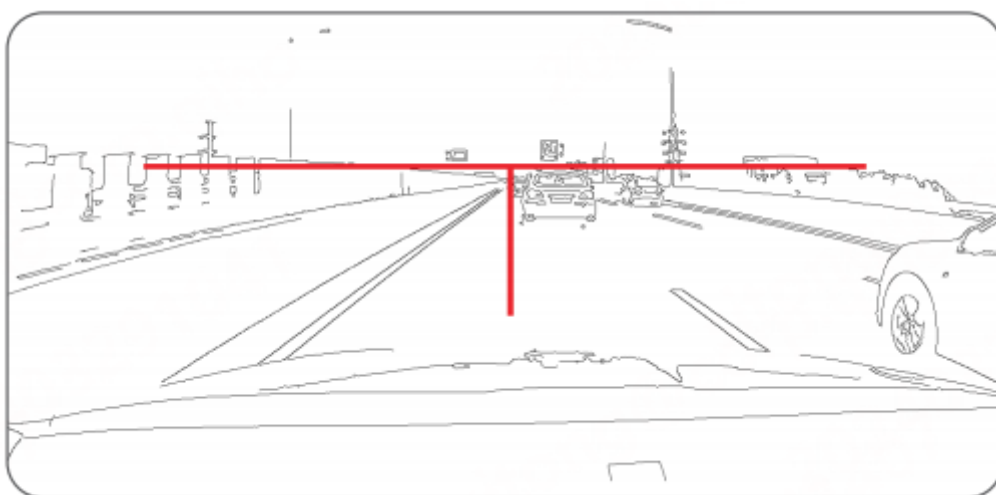
ADAS Calibration Guide

To ensure the accuracy of ADAS, it is essential to perform ADAS calibration before use. After completing the wiring, the dashcam will power on automatically and start recording. Upon the first power-up, ADAS calibration is required. Please follow the steps shown in the diagram for adjustment. (If not the first power-up, navigate to the ADAS calibration in the driving assistance section within the settings menu.)

Step 1: Adjust the installation position of the dashcam to align the vertical line of ADAS calibration with the centerline of the vehicle as much as possible.

Step 2: Adjust the camera angle to align the horizontal line with the horizon of the road (the plane where the road meets the distance).

Step 3: After calibration is complete, ADAS will become effective. For detailed ADAS function triggering conditions and alert content, please refer to the electronic manual.



ADAS functions are only used to provide information and cannot replace your observation of all roads and driving conditions. Please comply with traffic regulations and take responsibility for safe driving judgment. This function relies on recorder warnings, so the function may be limited under low visibility conditions.

Download and Installation of the App

Method 1: Scan the QR code provided below to download and install the app.

Method 2: Search for "botslab" in major application stores and click Download to install the botslab app.



Scan to download **Botslab** APP

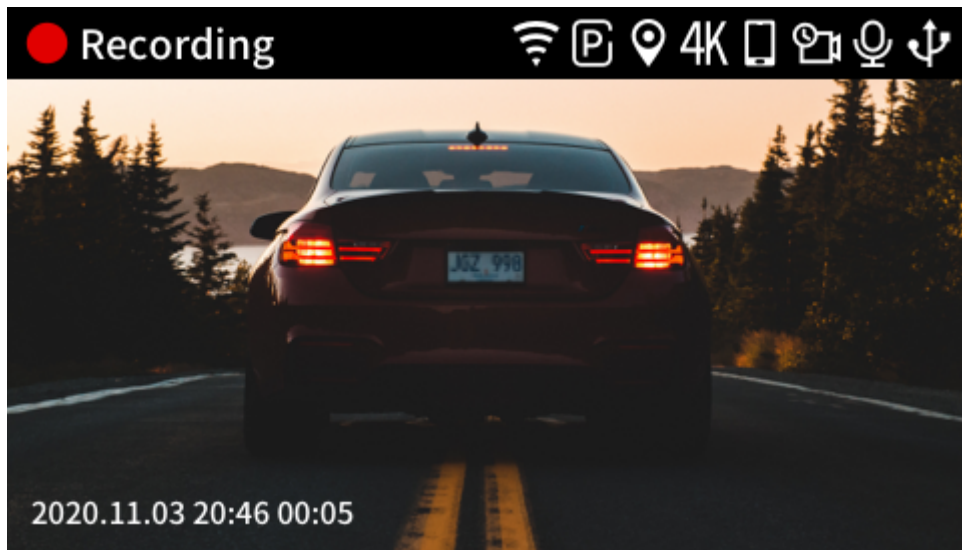
User Guide

Scan the QR code to access the online version of Quick Start Guide, and obtain more detailed instructions on how to use the dash cam.



Recorder Home Page

Top status icon description:



● Recording Status:

During normal recording, the red dot blinks, displaying "Recording...".

When emergency video is triggered, the warning blinks, displaying "Emergency video".

When the voice command "Start recording" is given, the warning blinks, displaying "Short video recording...".

● Icon meanings and order (from left to right)



① WiFi: indicates whether WiFi is on/off.

② Parking Monitor: indicates that the parking monitoring feature is enabled; the icon disappears when this feature is turned off.

③ GPS: indicates that GPS positioning is currently in use.

④ Video Quality: indicates the current recording quality is: 4K/2K.

⑤ Mobile Connection: indicates that the app on the mobile phone is currently connecting.

⑥ Time-lapse Recording: indicates that the time-lapse recording feature is enabled; the icon disappears when this feature is turned off.

⑦ Recording: indicates whether video recording is on/off.

⑧ Hardwire kit: indicates that the dashcam is powered by a hardwire kit.

● Button instructions below (from left to right):

① Album: Click to enter the album to view videos and photos.

② Settings: Click to access the recorder settings.

③ Recording switch: Click to turn the recording function on/off."

Recorder settings

Settings 1/2



Connect your
phone



Recording
settings



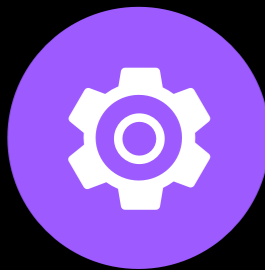
Parking
monitoring



Settings 2/2



Driving
assistance



System
settings



About this
device



Enter the recorder menu interface to set the following parameters:

● Connect to Phone

1. Bluetooth Pairing: Please enable Bluetooth pairing mode when connecting the phone app for the first time.
2. Download Phone App: Scan the QR code to download the Botslab app.
3. Wi-Fi Switching: Supports switching between 5G and 2.4G Wi-Fi.

4. Wi-Fi Connection: Wi-Fi hotspot can be manually turned on/off. If Bluetooth is connected, you can connect to the recorder via the app, and the recorder's Wi-Fi will automatically turn on without manual activation."

● Video Settings

5. Video Resolution: Supports selection of 2160P/1080P resolution.
6. Loop Recording: Supports selection of 1min, 3min, 5min, default recording is 1min.
7. Audio Recording: Turn on/off the recorder's video audio recording.
8. Emergency Recording Sensitivity: Turn on/off the emergency video feature and adjust sensitivity.
9. Built-in Speed: When enabled, speed information will be displayed in the recorder's video.
10. Video Logo Watermark: When disabled, the Botslab logo will not be displayed in the recorder's video. "

● Parking Monitoring

- ① Parking monitoring sensitivity: Enable/disable parking monitor function and select sensitivity.
- ② Time-lapse recording: Enable/disable time-lapse recording function and select recording duration.
- ③ Constant power vehicle protection: Suitable for vehicles with constant power from the cigarette lighter. Once enabled, if the vehicle remains stationary for a specified period (10 minutes/20 minutes), it will automatically enter parking monitor mode to protect the battery.
- ④ High-temperature protection description: View detailed description of high temperature protection function, which automatically shuts down to protect when excessive temperatures are detected. "

● Driving Assistance

- ① Fatigue Driving Reminder: When enabled, it alerts for continuous driving beyond 2, 4, 6, or 8 hours.
- ② Safe Driving Reminder: When enabled, it provides voice prompts for dangerous driving behaviors such as rapid acceleration, deceleration, or sharp turns.
- ③ Driving Assistance Reminder - Front Vehicle Start: When enabled, it alerts when the vehicle in front starts moving.
- ④ Driving Assistance Reminder - Following Distance Too Close: When enabled, it alerts when the distance to the vehicle ahead is too close, posing a collision risk.
- ⑤ Driving Assistance Reminder - Pedestrian Collision: When enabled, it alerts for the presence of pedestrians or non-motorized vehicles ahead.

⑥ ADAS Calibration: Adjusts the camera angle to improve the accuracy of driving assistance reminders."

● System Settings

① Speaker Volume: Turn sound on/off and adjust volume level.

② Smart Voice: Enable/disable voice command recognition. When on, you can control the recorder with voice commands.

Voice command	System operation
Take a photo	Take a photo and save it to the album.
Start recording.	Record an emergency video, which will be automatically saved to the album after recording.
Unlock the screen.	When the recorder's screen turns off, the voice control screen lights up.
Turn off the screen.	When the recorder's screen is on, voice control turns off the screen.
Open previous recording	Display the front road camera images.
Open recording	Display rear camera footage.

③ Screen Display: Supports setting the time to enter screensaver and the screensaver interface.

④ GPS Information: Supports viewing GPS positioning signal data.

⑤ Format Storage Card: Format the storage card; if there are important video and photo files, please back them up first.

⑥ Restore Factory Settings: Restore the recorder's software system to factory default without deleting recorded video files.

● About this device

You can check the basic information of the current recorder, including product model, firmware version, device serial number (SN), Bluetooth name, Wi-Fi name, smart voice, and ADAS authorization status."

Function Introduction

1. Emergency Video

 **Emergency**



① When the recorder detects a vehicle collision, it will automatically start recording an emergency video that lasts for 1 minute.

* **【Emergency Video】** is saved in a different folder than **【Loop Recording】**. When the number of emergency videos reaches the storage card limit, the oldest emergency video files will be automatically deleted without affecting the recording of new emergency videos.

② During emergency video recording, the progress of the recording will be displayed at the bottom, with a default recording duration of 1 minute.

③ The emergency video will be automatically saved in the emergency video folder and can be viewed in the album."

11. Parking Monitoring - Collision Detection Mode (Requires connection to Botslab Hardwire Kit)

① If the vehicle experiences a collision, the recorder will automatically start upon sensing the vibration and record a 1-minute video.

② When the vehicle is started next time, the recorder will notify you of new parking monitoring videos. Please check them promptly.

3.Parking Monitoring - Time-lapse Recording Mode (Requires connection to Botslab Hardwire Kit)

① After the vehicle is turned off, the recorder automatically enters time-lapse recording mode, capturing video at one frame per second during parking, saving approximately 1 minute of footage every 30 minutes (resolution 2160P) or 60 minutes (resolution 1080P).

② Once the vehicle is started normally, the recorder switches to normal loop recording mode.

- ③ After the time-lapse recording reaches the preset duration, the recorder will automatically shut down. If the parking monitoring - collision detection feature is enabled, it will switch to parking monitoring - collision detection mode after the time-lapse recording ends.
- ④ Time-lapse recording mode is enabled by default, and recording duration supports 8/16/24 hours, adjustable via "Settings."
- ⑤ Time-lapse recording videos do not capture sound and playback is in fast-forward. It is recommended to watch on a mobile phone or computer.

Driving Assistance

ADAS is only meant to provide information and cannot replace your observation of all road and driving conditions. Please obey traffic laws and drive safely. ADAS relies on cameras for warnings, so its functionality may be limited in low visibility conditions.

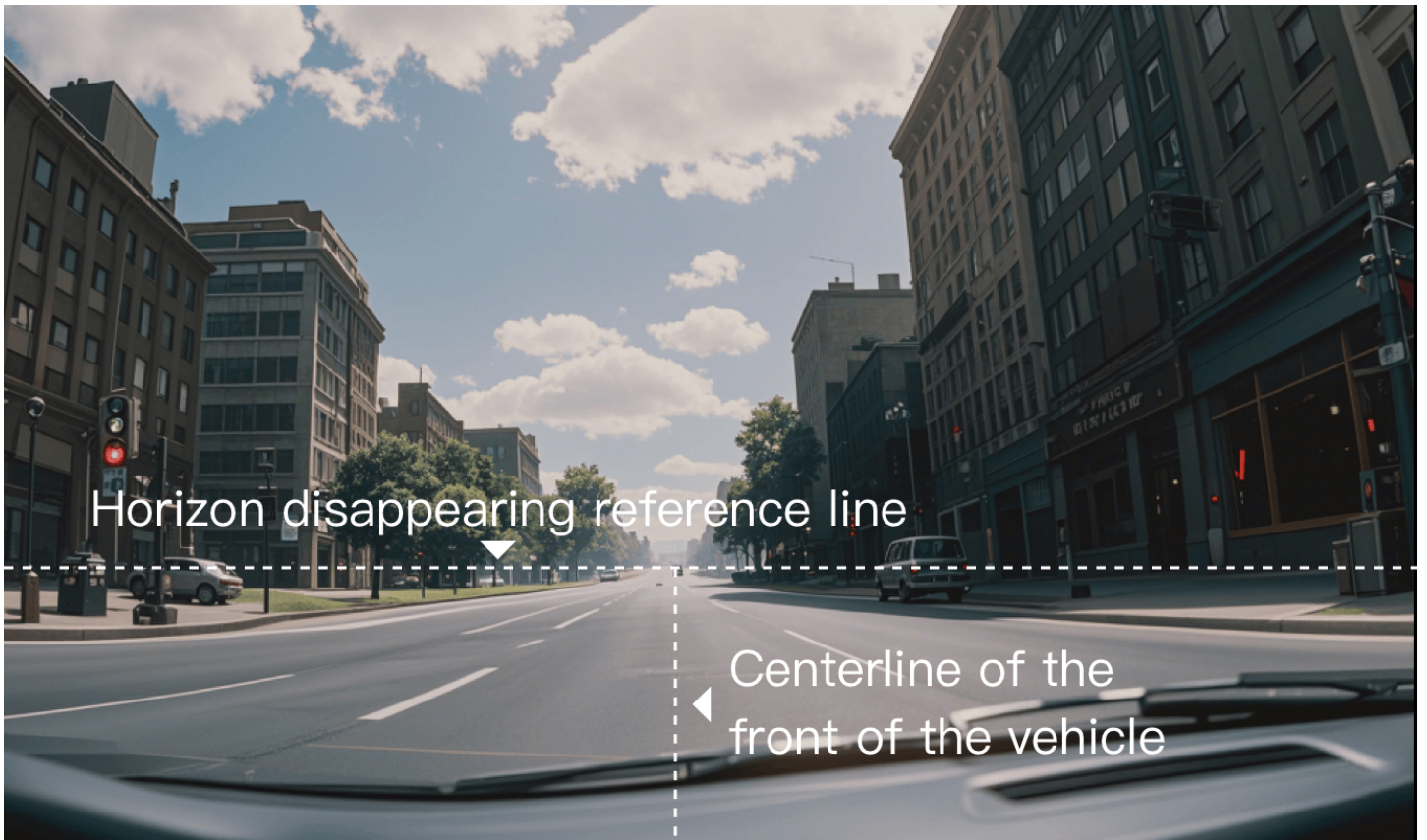
12. Driving Assistance Calibration

To ensure the accuracy of ADAS, be sure to perform ADAS calibration before use.

After wiring is complete, the recorder will automatically power on and start recording. After the recorder is powered on for the first time, ADAS calibration is required. Please follow the steps shown in the image to make adjustments. (If it is not the first power-on, go to the settings interface under driving assistance to find ADAS calibration.)

Step 1: Please adjust the installation position of the recorder to align the ADAS calibration vertical line with the centerline of the vehicle.

Step 2: Please adjust the camera angle to align the horizontal line with the road horizon (the road horizon is the end of a flat road).



Step 3: After calibration is complete, ADAS will be active.

If the shooting angle is poor after calibrating ADAS (e.g., capturing too much ground or sky after aligning the horizon), you can fine-tune the camera angle again and press the up and down buttons to align the horizontal line with the horizon."

2. Trigger Conditions and Announcements for ADAS Functions

2.1 Reminder for Starting Vehicle (SNG)

Trigger Conditions

The host vehicle and the preceding vehicle need to be stationary for a few seconds; when the preceding vehicle starts moving forward, the starting vehicle function is automatically triggered.

Trigger Limitations

If the recorder is not properly calibrated for ADAS, the starting vehicle function may not work correctly.

13. Following vehicle slow movement only triggers once to reduce unnecessary disturbances.
14. The function will only occur when the preceding vehicle has moved a considerable distance and your vehicle remains stationary.
15. In environments like backlighting or nighttime, image quality may severely decline, and this function may be limited.

Notification Content

Plays a prompt sound and displays an alert image (the alert image is only displayed when the screen is constantly on).

2.2 Close Follow Distance (HMW) Warning

Trigger Conditions

The vehicle speed is greater than 30 km/h, and the distance to the vehicle ahead is less than the system's set value, triggering the front collision warning function automatically, with a 10-second interval between alarms.

Trigger Limitations

The front collision warning function may not work properly if the recorder is not correctly calibrated for ADAS.

16. The follow distance monitoring warning function will not operate when the vehicle speed is less than 30 km/h.
17. The follow distance monitoring warning function will not operate if the vehicle ahead is too far away.
18. In backlight or night conditions, the image quality may significantly decline, and this function may be limited.

As driving speed varies, so does the safe distance. Users can adjust the sensitivity of the distance warning in the APP according to their driving habits.

Reminder Content

Play a prompt sound and display an alarm (the alarm image is displayed only when the screen is on).

The APP can set different sensitivities (high/medium/low), with the system defaulting to medium sensitivity."

2.3 Lane Departure Warning System (LDWS)

Trigger Conditions

The lane departure function is automatically triggered when the car unintentionally crosses the line while driving at or above the set speed.

Trigger Limitations

If the recorder is not properly calibrated to ADAS, the lane departure function may not work properly.

19. The lane departure function requires clear, continuous lane dividers. Lane departure may not be detected when the dividers are obscured by rain, fog, snow, extreme shadows, sunlight or headlight glare, road construction, or any other visual obstruction.

20. Lane departure may not be detected if the lane dividers are misaligned, missing, or severely worn.
21. The lane departure function may not detect lane departure on extremely wide, narrow, or curved roads.
22. Lane departure will temporarily fail due to multi-lane confusion

Notification Content

An alert sound will play and an alarm will be displayed (alarm image only shown when the screen is constantly on).

The app can set different sensitivity trigger values of high (60 km/h), medium (70 km/h), and low (80 km/h), with the system defaulting to medium sensitivity (70 km/h)."

2.4 Pedestrian Collision Warning

Trigger Conditions

Vehicle speed between 10-40 km/h, and a pedestrian or non-motor vehicle appears within ten meters.

Trigger Limitations

If the recorder is not properly calibrated for ADAS, the pedestrian collision warning may not function correctly.

This algorithm is based on visual effects; poor lighting conditions can affect reporting accuracy.

Notification Content

Play a warning sound and display an alert (the alert image is only displayed when the screen is always on)."

Precautions for Using the Dash Cam

- This product is an auxiliary device (dash cam) for safe driving.
- Any losses resulting from product malfunctions, data loss or product usage are not the responsibility of our company.
- This product is designed as an auxiliary device to record external images of vehicles. Due to different driving and vehicle environments, some functions may not be supported.
- Firmware upgrades are carried out periodically to improve the product, which may cause changes in product performance, and sometimes may lead to the inability to capture images

due to the usage environment. Therefore, the driving images recorded in this product are for reference only.

- Although this product can record and save images of vehicle accidents, it does not guarantee that all accident images can be recorded. A minor collision accident may not activate the collision sensor, so the image may not be recorded in a dedicated folder.
- Do not install or operate this product while the vehicle is in motion.
- This product must be directly connected to the car's power supply system and installed by professionals with installation experience. Do not use this product for a long time without starting the engine.
- This device may interfere with the function of improperly protected medical devices. If you have any questions or are uncertain whether the medical device can shield external RF energy, please seek advice from a doctor or the medical device manufacturer.
- Do not subject this product to strong shocks or vibrations, which may damage the product, resulting in malfunction or inability to use.
- Before cleaning or maintenance, please stop using the product.
- Do not use chemical solvents or cleaning agents to clean this product.
- Do not disassemble or modify this product without authorization.
- The normal temperature range for using this device is between 0°C and 50°C.
- Please ensure that you use this product within the limits allowed by law.

Important Statement

Personal Information Security

To ensure the safety of you and your family, please make sure that your product is only bound by authorized persons. Botslab will take strict measures to ensure the security of your and your family's information.

FCC regulatory conformance:

This device complies with Part 15 of the FCC Rules. Operation is subject to the following two conditions:

- (1) This device may not cause harmful interference.
- (2) This device must accept any interference received, including interference that may cause undesired operation.

NOTE: This equipment has been tested and found to comply with the limits for a Class B digital device, pursuant to part 15 of the FCC Rules. These limits are designed to provide reasonable protection against harmful interference in a residential installation.

This equipment generates uses and can radiate radio frequency energy and, if not installed and used in accordance with the instructions, may cause harmful interference to radio communications. However, there is no guarantee that

interference will not occur in a particular installation. If this equipment does cause harmful interference to radio or television reception, which can be determined by turning the equipment off and on, the user is encouraged to try to correct the interference by one or more of the following measures:

- Reorient or relocate the receiving antenna.
- Increase the separation between the equipment and receiver.
- Connect the equipment into an outlet on a circuit different from that to which the receiver is connected.
- Consult the dealer or an experienced radio/TV technician for help

NOTE: The manufacturer is not responsible for any radio or TV interference caused by unauthorized modifications to this equipment. Such modifications could void the user's authority to operate the equipment.

RF Exposure

CE:

EU regulatory conformance:

RF exposure information: The Maximum Permissible Exposure (MPE) level has been calculated based on a distance of 20cm between the device and the human body. To comply with RF exposure requirements, it is recommended to use the product while maintaining a distance of 20cm between the device and the human body.

CE DOC

Hereby, Botslab Inc. declares that theradio equipment type G980H-N529-1 is in compliance with Directive 2014/53/EU.Thefull text of the Eu declaration of conformity is available at the following internet.

address: <https://www.botslab.com>

Manufacturer information:

Company name: Botslab Inc.

Address: 919 North Market Street, Suite 950, Wilmington, New Castle, Delaware, USA

Operation temperature: 0~50°C

Operation frequency(Max power)

Wifi : 2412MHz-2472MHz (<20dBm), 5745MHz-5825MHz (<13.98dBm)

Bluetooth: 2402MHz-2480MHz (<13dBm)

FCC:

This equipment complies with FCC radiation exposure limits set forth for an uncontrolled environment. This equipment should be installed and operated with minimum distance of 20 cm between the radiator and your body. This transmitter must not be co-located or operating in conjunction with any other antenna or transmitter.

Responsible party (contact for FCC matters only):

Botslab Inc.

919 North Market Street, Suite 950, Wilmington, New Castle, Delaware

www.botslab.com

IC regulatory conformance

This device complies with CAN ICES-003 (B)/NMB-003(B).

This device complies with Industry Canada licence-exempt RSS standard(s).

Operation is subject to the following two conditions:

- (1) this device may not cause harmful interference, and
- (2) this device must accept any interference received, including interference that may cause undesired operation.

Cet appareil est conforme à la norme CAN ICES-003 (B)/NMB-003 (B).

Le présent appareil est conforme aux CNR d'Industrie Canada applicables aux appareils radio exempts de licence. L'exploitation est autorisée aux deux conditions suivantes :

- (1) l'appareil ne doit pas produire de brouillage, et
- (2) l'utilisateur de l'appareil doit accepter tout brouillage radioélectrique subi, même si le brouillage est susceptible d'en compromettre le fonctionnement.

RF Exposure

This equipment complies with IC radiation exposure limits set forth for an uncontrolled environment. This equipment should be installed and operated with minimum distance of 20 cm between the radiator and your body. This transmitter must not be co-located or operating in conjunction with any other antenna or transmitter.

Cet équipement est conforme aux limites d' exposition aux rayonnements de la IC établies pour un environnement non contrôlé. Cet équipement doit être installé et fonctionner à au moins 20cm de distance d' un radiateur ou de votre corps.

Attentions And After-Sales Service

I. Introduction and declaration of after-sales service

· Thank you for choosing the Botslab dash cam. Please use only the accessories provided by the original manufacturer to avoid unexpected malfunctions or damage. Failure to use the product as outlined here, or connecting it with incompatible accessories, will result in your warranty becoming void. The company assumes no responsibility for any danger or damage caused by such unauthorized uses. If you dismantle or change the product housing, the warranty will also become invalid.

· Our company is committed to constant improvement and sustainable development. As a result, we may modify and improve the product manual without advance notice to users.

· Unless otherwise specified by applicable laws, the manual contents are provided based on the product's manufacturing conditions. Therefore, no explicit or tacit warranty of any kind is made for the correctness, reliability, or contents of the files.

· The product manual is protected by copyright law. Copying, transmitting, distributing, or using it in other forms is forbidden without the written approval of Botslab.

II. In regards to service policies within the warranty period of the Botslab dash cam:

1. This product contains a one-year warranty. For details on warranty service, kindly contact local authorized distributors.

2. The warranty period for the power adapter and charger cable is 12 months, and for the battery, it is 6 months.

3. Non-electronic accessories are not covered by the warranty.



This symbol means the product must be discarded as household waste, and should be delivered to an appropriate collection facility for recycling. Proper disposal and recycling helps protect

natural resources, human health and the environment. For more information on disposal and recycling of this product, contact your local municipality, disposal service, or the shop where you bought this product.

List of Performance Faults of Botslab Dash Cam

Name	Performance fault
Mainframe of Botslab dash cam	Failure of functions listed in the product manual; No display or incorrect characters displayed on the screen; Failure during start-up or normal recording of image data; Button control failure; Cracks in the housing caused by structural or material issues.
Charger & charger cable	Abnormal status or operation, or failure to charge properly with the designated charger.

III. Charged maintenance policies of Botslab recorder product

If any of the following cases occur, the Botslab Company or its authorized service centers will provide reasonable maintenance services at a cost for those outside the scope of the warranty.

1. Exceeding the valid warranty period.
2. Lack of warranty certificate or valid invoice. The warranty certificate does not match the model and labeling of the product, or has been tampered with.
3. Damage caused by usage, repair, and maintenance that does not follow the requirements in the User Manual. Damage or malfunction resulting from personal removal, maintenance, or modification of the system software without authorization from the Botslab Company.
4. Collision, soaking, breaking or burning of the printed circuit board.
5. Cracking or damage to the outer shell, LCD screen, antenna, etc. of the 360 dash cam during use, except for that caused by structural or material factors.
6. Damage due to force majeure.

Contact Us

Website: <https://www.botslab.com>

E-Mail: service@botslab.com

Facebook-Konto: @botslabofficial